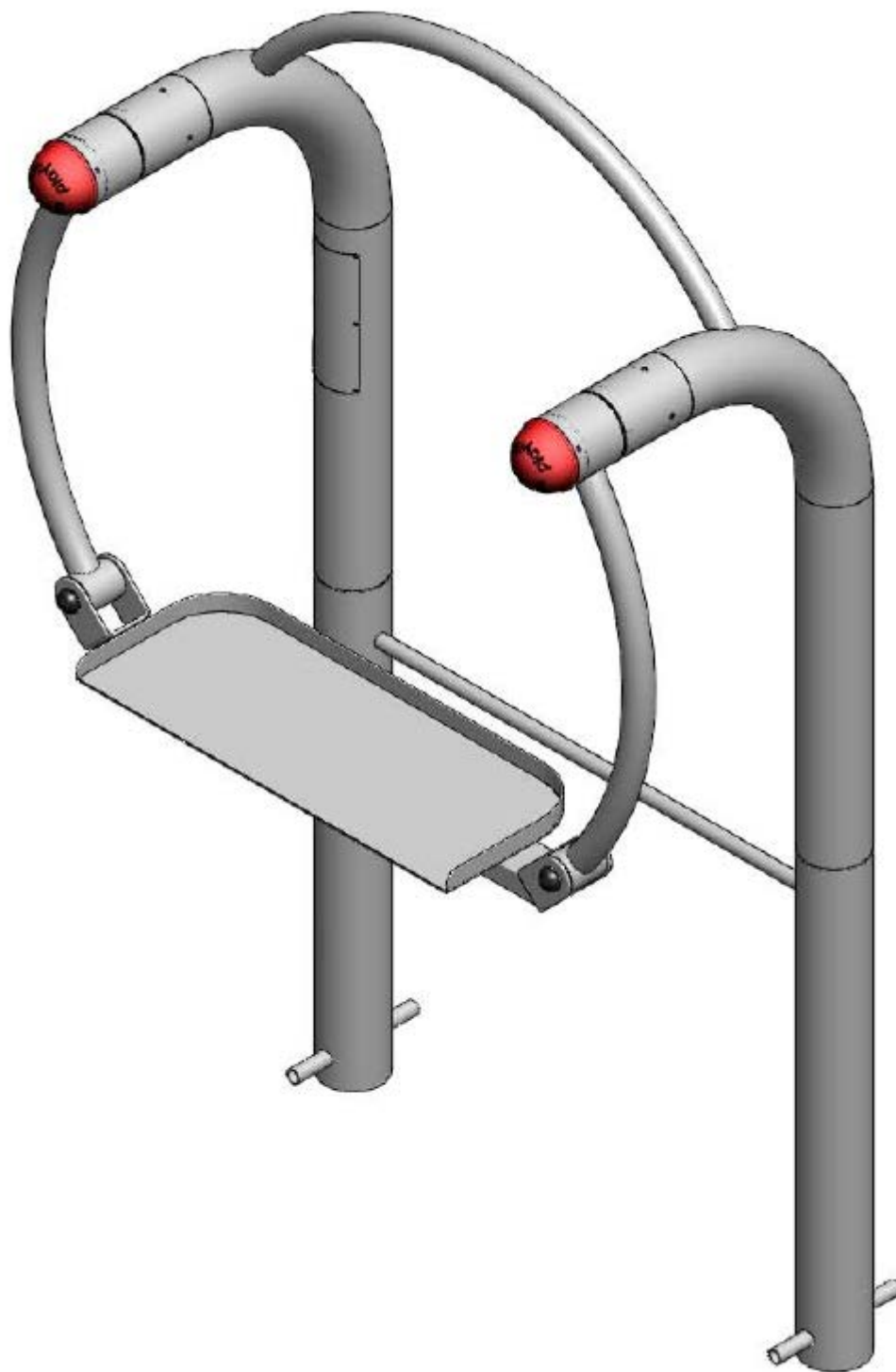


playfit®
outdoor-fitness

3D Diagram including Anchorage
3D Darstellung mit Fundamentverankerung
JS-0264D
Slalom Trainer
Slalomtrainer

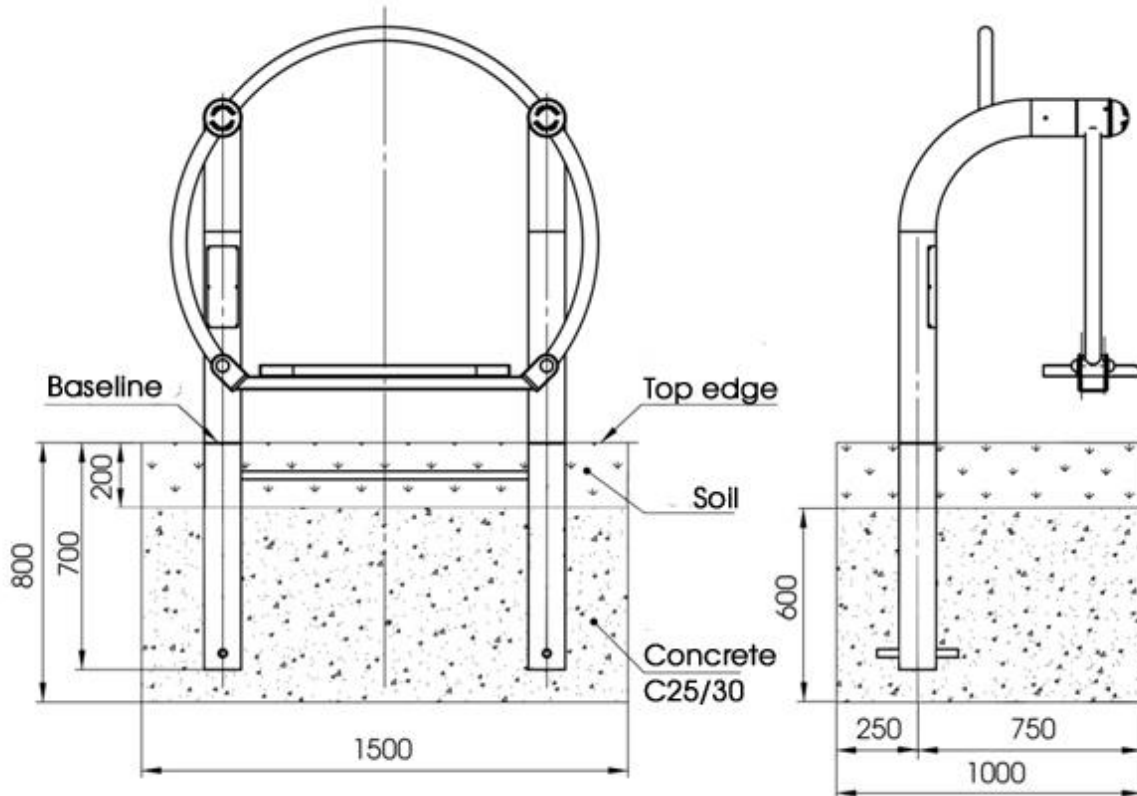
Date/Stand:
01.08.2018



Erstellt von
playfit® RZ

Prüfung und Freigabe:
Datum, Name

Version: 1/DE




Foundation (L x W x H): 1500 mm x 1000 mm x 600 mm

All dimensions indicated are in millimetres (mm)

Diagram is not according to scale (components shown for illustrative purposes only)

Baseline marking on support-tubes of playfit® equipment indicates terrain surface and must still be just visible after installation and completion of groundwork.

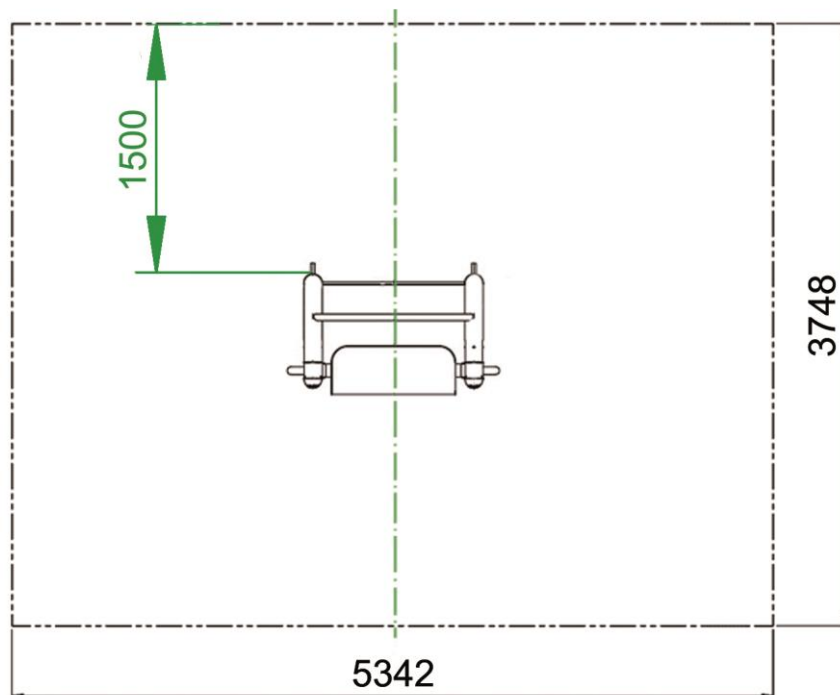
 outdoor-fitness	Foundation Plan Fundamentplan JS-0264D Slalom Trainer Slalomtrainer	Date/Stand: 01.08.2018
--	--	---------------------------

Foundations

- This completely pre-assembled playfit® piece of equipment must be installed/set in concrete as described in the playfit® Operating Guidelines in Chapter 7 "Assembly Instructions" and in the "Device-Specific Foundation Plans and Technical Data Sheets"
- Specifications of foundation such as dimensions and depth of equipment in foundation: please refer to device-specific Foundation Plan
- The construction of the foundation conforms to EU norms for concrete surfaces EN 206 (additionally in Germany: according to DIN 1045 "Tragwerke aus Beton, Stahlbeton und Spannbeton") and according to accepted practice for carrying-out such work as described in the norms.
- C25/30 is, in general, an acceptable quality for concrete


Position of the device within the area of movement

Area of movement: 5342 mm x 3748 mm





All dimensions in mm

Required surface material: see Technical Data Sheet

Erstellt von  RZ	Prüfung und Freigabe: Datum, Name	Version: 1/EN
--	--------------------------------------	---------------

 outdoor-fitness	Technical Data Sheet Gerätedatenblatt JS-0264D Slalom Trainer Slalomtrainer	Date/Stand: 11.12.2023
--	--	---------------------------

Model Slalom Trainer	
Model No.	JS-0264D
Equipment dimensions <ul style="list-style-type: none"> ▪ Base area (Length x Width) ▪ Total height ▪ Height above ground surface 	1318 mm x 748 mm 1980 mm 1280 mm
Training space Length x Width x Height	4000 mm x 2000 mm x 2746 mm
Free height of fall	Maximum height of foot plate: 546 mm
Movement space Length x Width x Height	5342 mm x 3748 mm x 2746 mm
Required surface material The required surface material only needs to adequately cover the area directly above the foundations and not the entire surface area of the movement space to avoid the foundations becoming exposed and possible injuries resulting from this.	Concrete/Stone, Bitumen-bonded surfaces or synthetic impact attenuating materials <i>(construction-conditioned no topsoil, lawn or loose bulk materials)</i>
Weight of apparatus (± 2 kg)	63.6 kg
Weight of heaviest component (± 1 kg)	Foundation support tubes with handlebar (Part No. 1): 42 kg
Dimensions of largest component	Foundation support tubes with handlebar (Part No. 1): 1980 mm x 1114 mm x 715 mm
Components most susceptible to wear & tear	2 Pcs. Stopper (Part No. 11) 2 Pcs. Protective cap for main support tube Ø 114 (Part No. 13) 4 Pcs. Base of protective cap for screw (Part No. 14) 4 Pcs. Protective cap for screw (Part No. 15) 4 Pcs. Ball bearing 6205-2RSH (Part No. 16) 4 Pcs. Ball bearing 6006-2RS1 (Part No. 17)
Specifications of foundation <ul style="list-style-type: none"> ▪ Number required ▪ Base area ▪ Total depth ▪ Depth of apparatus in foundation ▪ Depth of apparatus below base line 	1 per Model 1000 mm x 1500 mm 600 mm 500 mm 700 mm

Erstellt von  RZ	Prüfung und Freigabe: Datum, Name	Version: 1/EN
--	--------------------------------------	---------------